



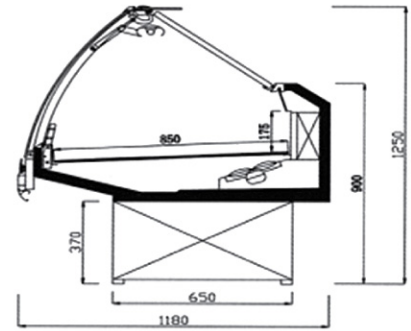
PLUG-IN Service Counter



environmental friendly



energy saving



Models	Climate Sort	Temperature °C	Rated Voltage V	Rated Frequency HZ	Compressor Power W	Anti-depower W	Illumination Power W	Cooling Agent	External Dimension (include no side plate) (length x width x height mm)
FSL-N12	N	0°~+5	220V	50	1125	75	108	R22	3750 x 1180 x 1250
FSL-N08	N	0°~+5	220V	50	750	65	70	R22	2438 x 1180 x 1250
FSL-N06	N	0°~+5	220V	50	750	57	60	R22	1920 x 1180 x 1250